

Projector Lift

2 Meter Drop

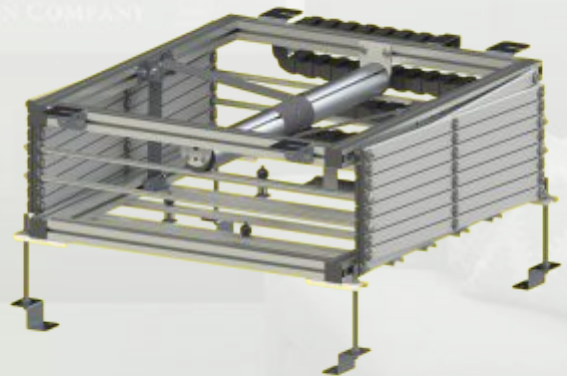
Model No.

AX202



Product Details

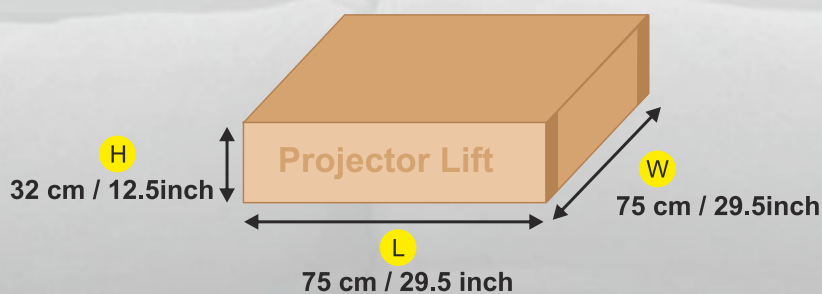
- Aluminum Scissor Lift
- 2 Meter Drop
- Tubular Motor
- 18 kg Weight Lifting Capacity with Bottom Sheet
- Cable Track For Better Cable Management
- Adjustable Clamps For Lower Plate



1
YEAR
WARRANTY

Lift Box Dimension

Weight 20kg

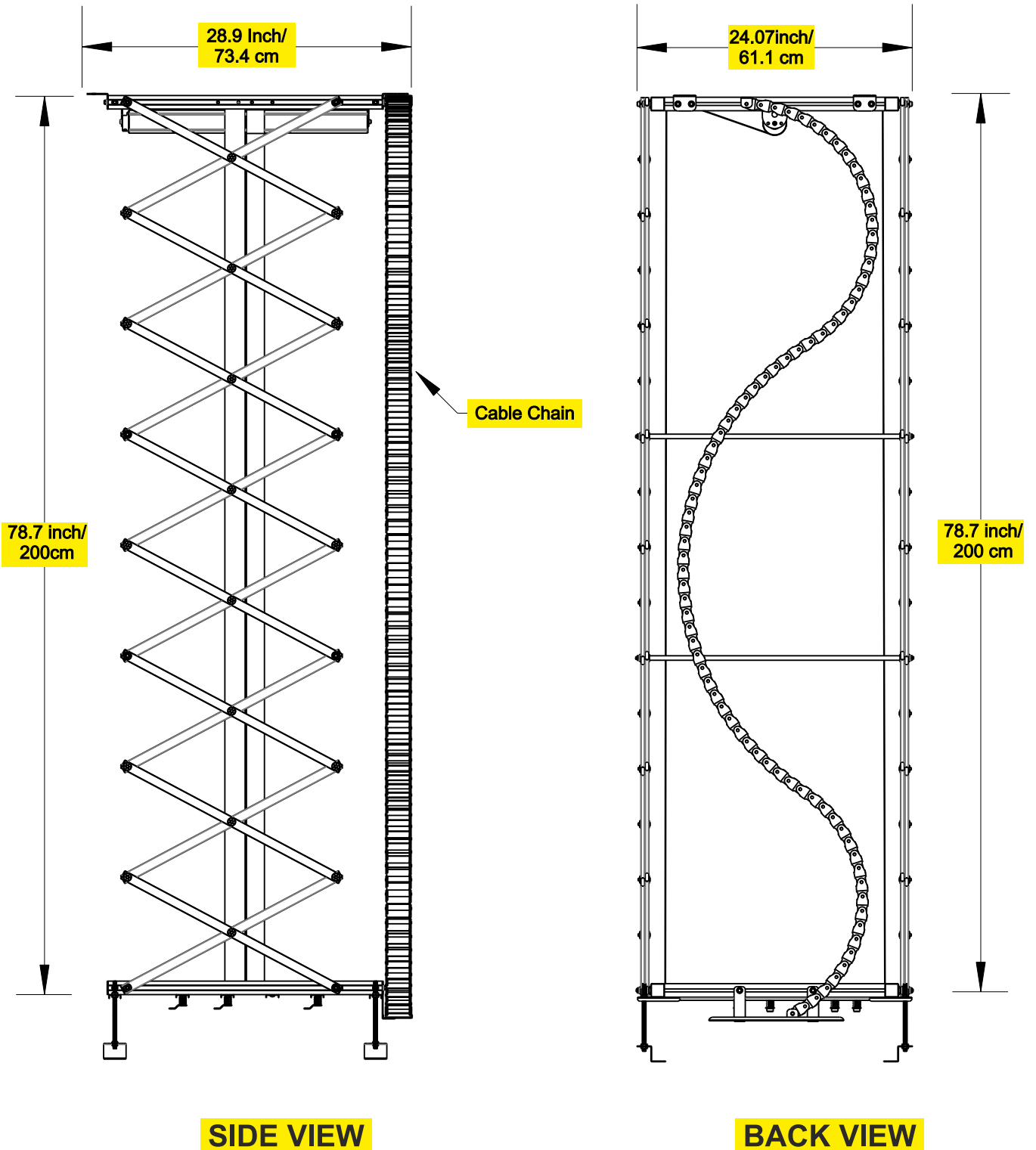


Projector Lift

2 Meter Drop

Model No.

AX202



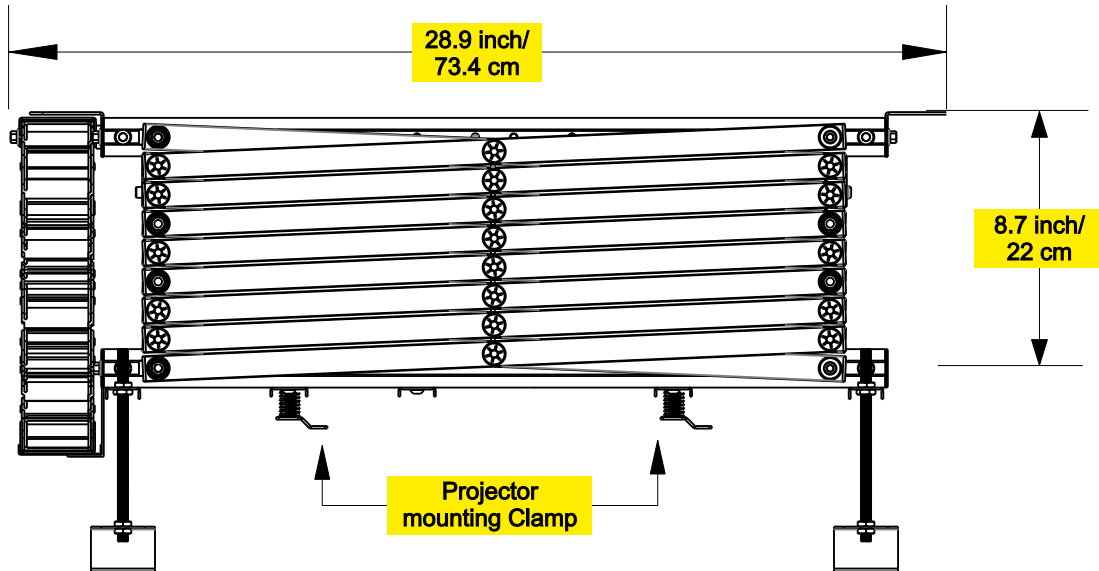
Projector Lift

2 Meter Drop

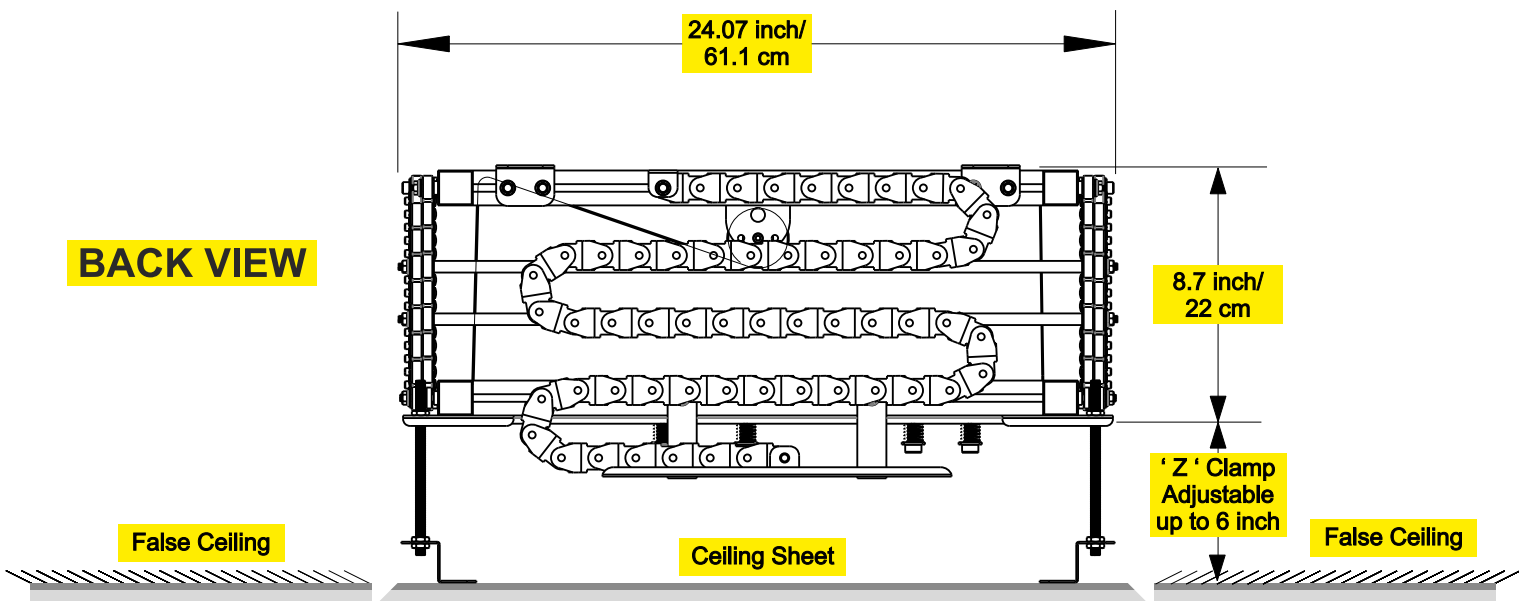
Model No.

AX202

SIDE VIEW



BACK VIEW

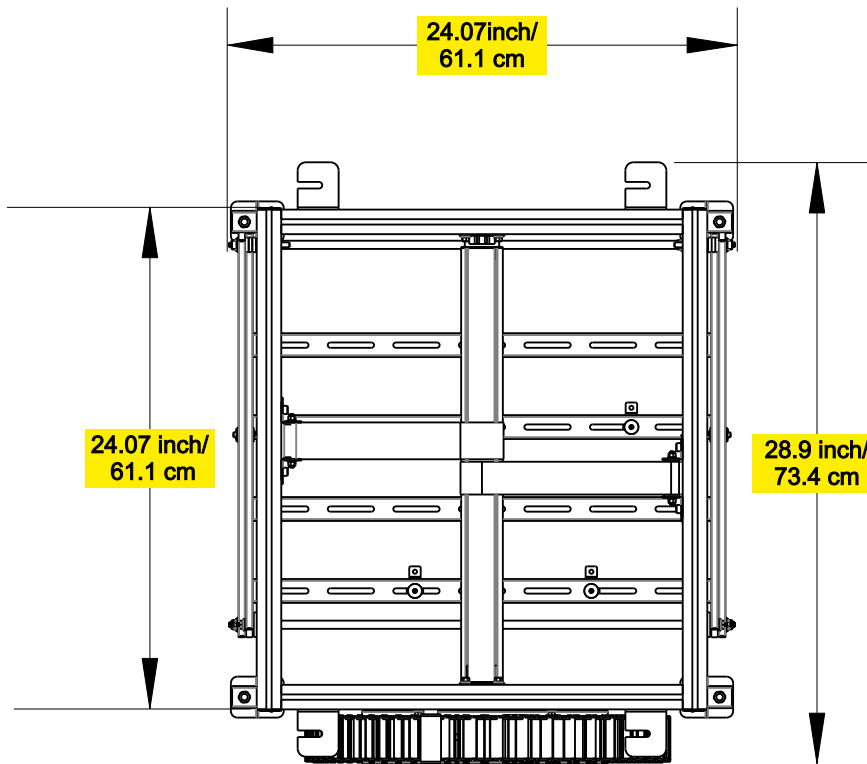


Note : Ceiling Sheet is not included in lift

Projector Lift

2 Meter Drop

Model No. AX202

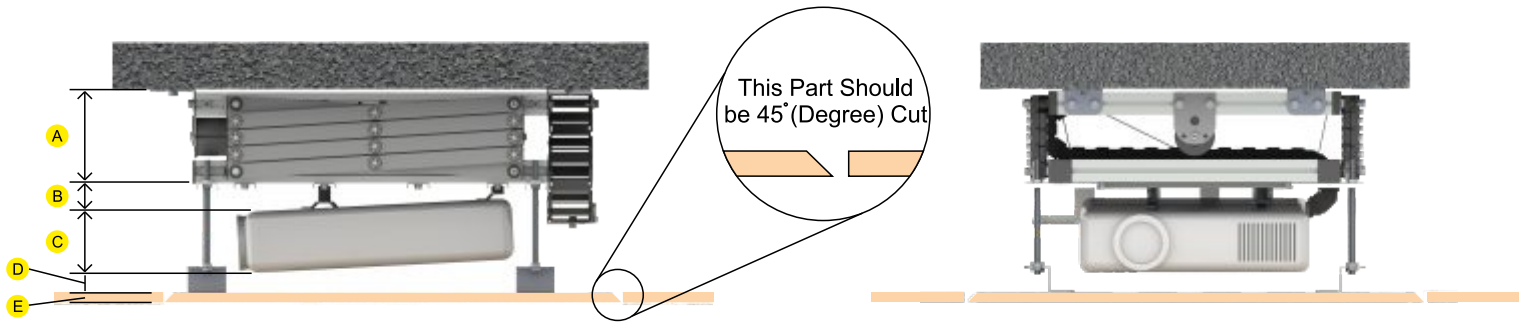


TOP VIEW

Projector Lift Projector Lift Installation (Page - 1)

How to calculate Gap between RCC Ceiling to False Ceiling.

For Fixed Lens Projector



A = Lift Height

B = Projector Tilting Space

C = Projector Height

D = Gap Between Projector to Bottom Sheet

E = Bottom Sheet thickness

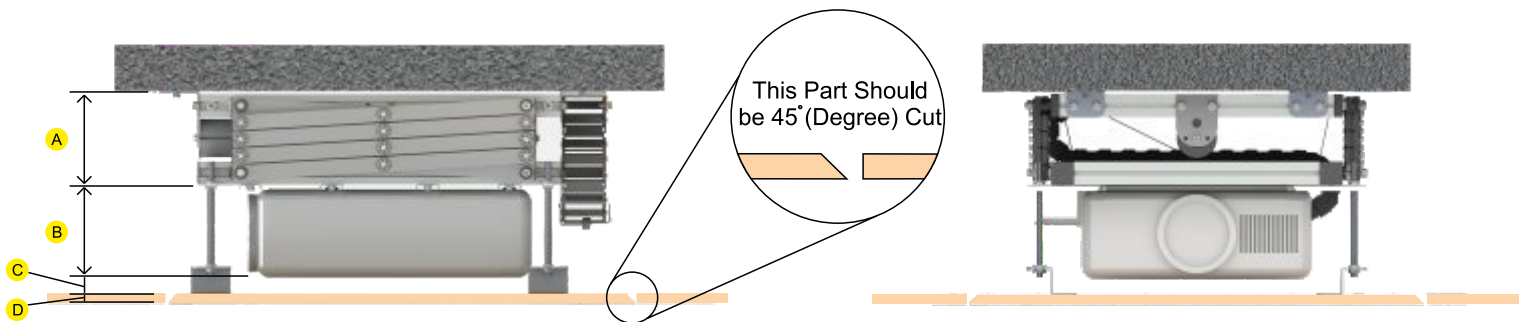
$$A (\underline{8.7^\circ}) \text{ Inch} + B (\underline{\quad} *) \text{ Inch} + C (\underline{\quad}) \text{ Inch} + D (\underline{\quad} \#) \text{ Inch} + E (\underline{\quad}) \text{ Inch} = (\underline{\quad}) \text{ inch}$$

● = AX202 Height

* = Approx 1 to 1.5 inch

= Approx 0.5 to 1 inch

For Lens Shifting Projector



A = Lift Height

B = Projector Height

C = Space

D = Bottom Sheet thickness

$$A (\underline{8.7^\circ}) \text{ Inch} + B (\underline{\quad}) \text{ Inch} + C (\underline{\quad} *) \text{ Inch} + D (\underline{\quad} \#) \text{ Inch} = (\underline{\quad}) \text{ inch}$$

● = AX202 Height

* = Approx 1 to 1.5 inch

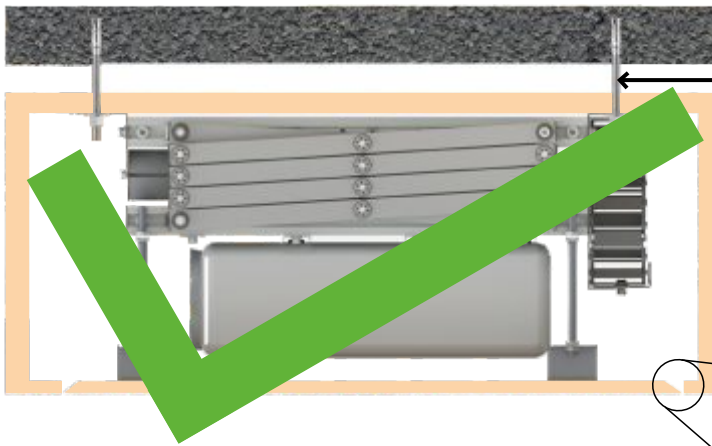
= Approx 0.5 to 1 inch

Projector Lift

Projector Lift Installation (Page - 2)

If you are Installing Lift in Wooden Box Please Look into this Drawing

RCC Ceiling



Fix Full thread Stud to RCC and fix Projector Lift with it.

This Part Should be 45 (Degree) Cut

RCC Ceiling



Projector Lift Fixed by wooden Screw.

This Part Should be 45 (Degree) Cut

It Cause High Noise

Projector Lift

Projector Lift Installation (Page - 3)

If not use Cable chain it cause Damage Lift by cable mess, in this case we will not Support any Warranty.



For better cable management must use cable chain

For Model **AX202** Bottom Sheet Cutout Minimum size 28 inch x 28 inch ideal size 30 inch x 30 inch

